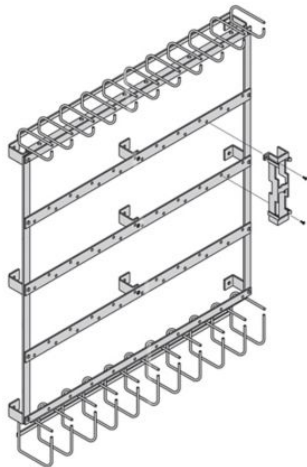


# Eaton SB7200304CFB

Catalog Number: SB7200304CFB

Eaton B-Line series wall mount cross connect frame, 30" height, 16.75" L, 16.75" W, Jumper ring provided for wire management, ASTM A569 and A36 structural steel, A569 and A36 Steel frame yellow zinc, Nylon block stand off bracket



## General specifications

Product Name	Catalog Number
Eaton B-Line series wall mount cross connect frame	SB7200304CFB
	UPC
	799038181699
Product Length/Depth	Product Height
16.75 in	30 in
Product Width	Product Weight
16.75 in	21 lb
Certifications	
Not Applicable	

## Product specifications

### Type

Wall mounted cross connect frame

### Material

Steel

### Application

Jumper ring provided for wire management

## Resources

### Catalogs

[Distribution frames section of the Datacomm catalog](#)

### Specifications and datasheets

[Eaton Specification Sheet - SB7200304CFB](#)



Eaton Corporation plc  
Eaton House  
30 Pembroke Road  
Dublin 4, Ireland  
Eaton.com  
© 2023 Eaton. All Rights Reserved.

Eaton is a registered trademark.

All other trademarks are property of their respective owners.



[Eaton.com/socialmedia](https://www.eaton.com/socialmedia)